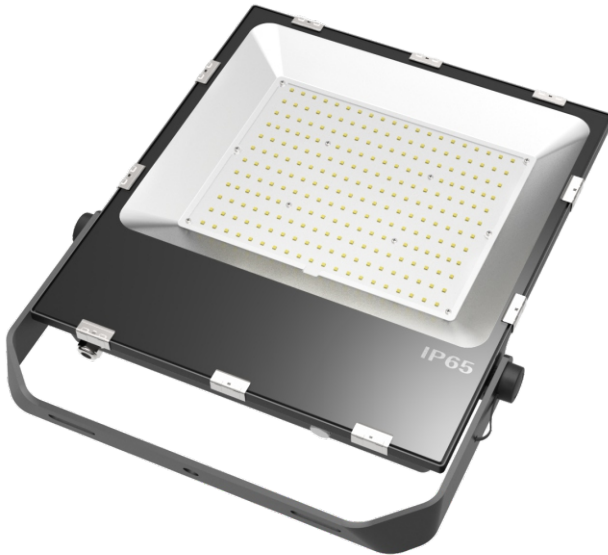


LED Flood Light 200W



KEY DATA

Power	200W
Luminous Flux	22000lm
Colour Temperature	3000K/4000K/6000K
IP Rating	IP 65
Dimensions	471x360x54mm
Warranty	5 Years Extended

Part Number 3000K

CL-FL-130-200W-04-WW

Part Number 4000K

CL-FL-130-200W-04-NW

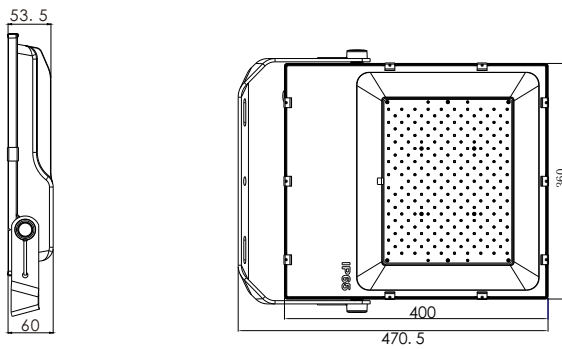
Part Number 6500K

CL-FL-130-200W-04-CW

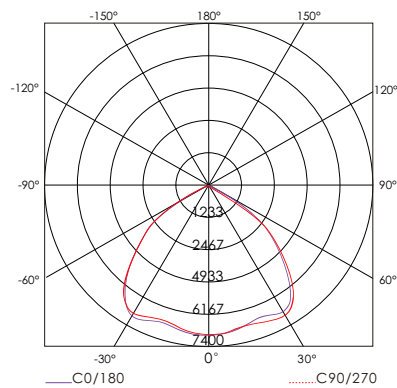
TECHNICAL SPECIFICATIONS

Input Voltage	210-250V AC/100~277V AC
Power Factor	>0.90
Warm white(2700-3000K)	20000lm
Natural white(4000-4500K)	21000lm
Cold white(5800-6500K)	22000lm
LED Manufacturer	NICHIA
LED Type	SMD 3030LED
No. of LEDs	200
Luminous Efficacy	110lm/W
Total Circuit Power(W)	200W+/-5%
Electrical Class	II
Colour Rendering	>80 CRI
Lamp Viewing Angle	100°
THD	<0.2
Operating Temp.	-25°C to +50°C
Lifespan	55,000 Hours
Diffuser Material	Tempered glass
Housing Material	Aluminium
Mounting	Bracket
Weight	8.0Kg

DIMENSIONS



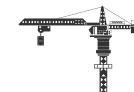
LIGHT DISTRIBUTION CURVE



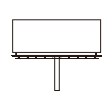
Application



Square.Plaza



Port



Billboard



Logistic center



Architecture



Production hall