

# LED Flood Light

## 50W



### KEY DATA

Power	50W
Luminou Flux	5500lm
Colour Temperature	3000K/4000K/6000K
IP Rating	IP 65
Dimensions	311x220x48mm
Warranty	5 Years Extened

Part Number 3000K

**CL-FL-130-50W-04-WW**

Part Number 4000K

**CL-FL-130-50W-04-NW**

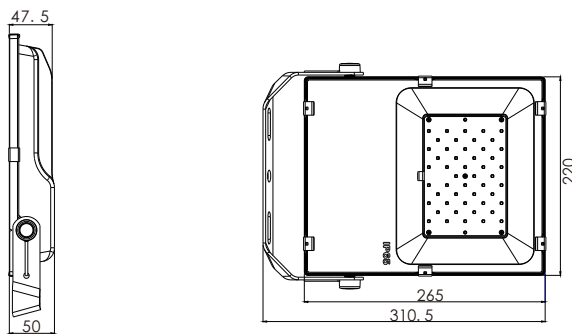
Part Number 6500K

**CL-FL-130-50W-04-CW**

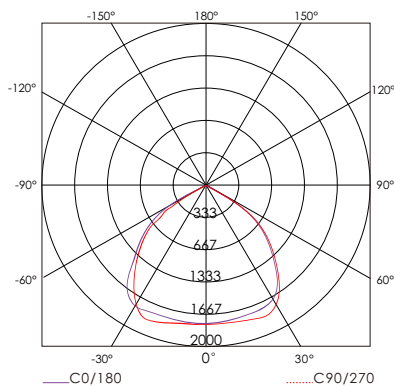
### TECHNICAL SPECIFICATIONS

Input Voltage	210-250V AC/100~277V AC
Power Factor	>0.90
Warm white(2700-3000K)	5000lm
Natural white(4000-4500K)	5200lm
Cold white(5800-6500K)	5500lm
LED Manufacturer	NICHIA
LED Type	SMD 3030LED
No. of LEDs	50
Luminous Efficacy	110lm/W
Total Circuit Power(W)	50W+/-5%
Electrical Class	II
Colour Rendering	>80 CRI
Lamp Viewing Angle	120°
THD	<0.2
Operating Temp.	-25°C to +50°C
Lifespan	55,000 Hours
Diffuser Material	Tempered glass
Housing Material	Aluminium
Mounting	Bracket
Weight	2.5Kg

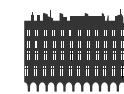
### DIMENSIONS



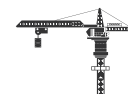
### LIGHT DISTRIBUTION CURVE



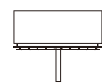
### Application



Square, Plaza



Port



Billboard



Logistic center



Architecture



Production hall