

LED High Bays 200W



KEY DATA

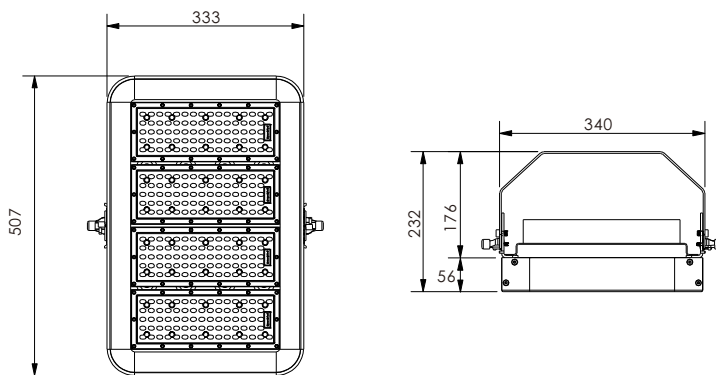
Power	200W
Luminous Flux	26000lm
Colour Temperature	3000K/4000K/6500K
IP Rating	IP 66
Dimensions	333x507x56mm
Warranty	5 Years Extended

Part Number 3000K	CL-HB-130-200W-03-WW
Part Number 4000K	CL-HB-130-200W-03-NW
Part Number 6500K	CL-HB-130-200W-03-CW

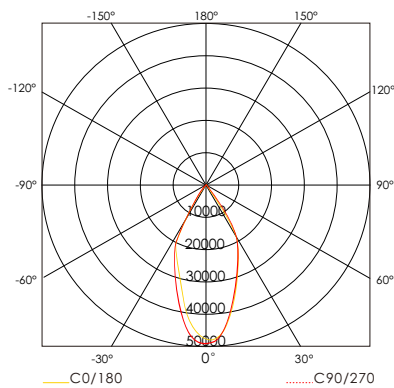
TECHNICAL SPECIFICATIONS

Input Voltage	90~306V AC
Power Factor	>0.95
Warm white(2700-3000K)	22300lm
Natural white(4000-4500K)	24700lm
Cold white(5800-6500K)	26000lm
LED Manufacturer	PHILIPS
LED Type	SMD3030
No. of LEDs	308
Luminous Efficacy	130lm/W
Driver Manufacturer	Meanwell
Total Circuit Power(W)	200W+/-5%
Electrical Class	II
Colour Rendering	>80 CRI
Lamp Viewing Angle	25°, 40°, 80°, 120°
Dimmable(option)	Dali/0-10V
Operating Temp.	-40°C to +50°C
Lifespan	55,000 Hours
Diffuser Material	Polycarbonate Lens
Housing Material	Aluminium
Mounting	Bracket/Wall mount
Weight	12.2Kg

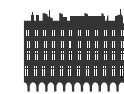
DIMENSIONS



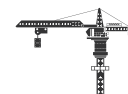
LIGHT DISTRIBUTION CURVE



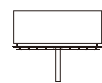
Application



Square, Plaza



Port



Billboard



Logistic center



Tunnel



Production hall