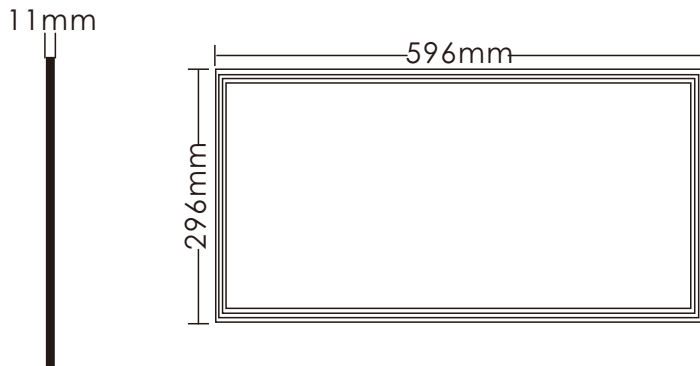


# LED Panel Lights

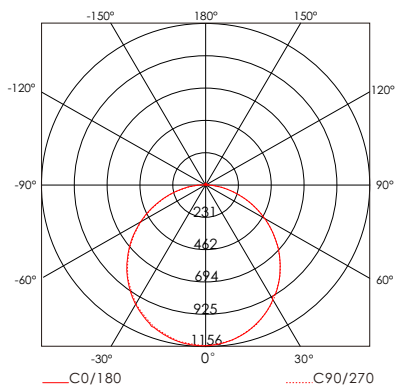
## 25W 295x595mm



### DIMENSIONS



### LIGHT DISTRIBUTION CURVE



### KEY DATA

Power	25W
Luminou Flux	2500lm
Colour Temperature	3000K/4000K/6500K
IP Rating	IP 20
Dimensions	295x595x9mm
Warranty	3/5 Years Extened

Part Number 3000K

**CL-PL-100-H3060-25W-WW**

Part Number 4000K

**CL-PL-100-H3060-25W-NW**

Part Number 6500K

**CL-PL-100-H3060-25W-CW**

### TECHNICAL SPECIFICATIONS

Input Voltage	200~240Vac
Power Factor	>0.9
Warm white(2700-3000K)	2000lm
Natural white(4000-4500K)	2300lm
Cold white(5800-6500K)	2500lm
LED Type	SMD4014/2835
LED brand	SANAN/EPSTAR
Luminous Efficacy	100lm/W
Driver Output Voltage DC	36-42V DC
Total Circuit Power(W)	25W +/-5%
Electrical Class	II
Colour Rendering	>80 CRI
Lamp Viewing Angle	120°
Dimmable(option)	Dali/0-10V/PWM/Traic
Operating Temp.	-20°C to +50°C
Lifespan	50,000 Hours
Flickering free(option)	Available
Light Guide Plate	Polystyrene
Housing Material	Aluminium
UGR<19(option)	Available
Weight	2.0Kg

### Application



Office



School



Shopping mall



Hospital



Library



Conference room