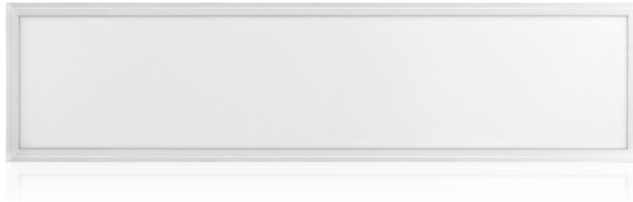
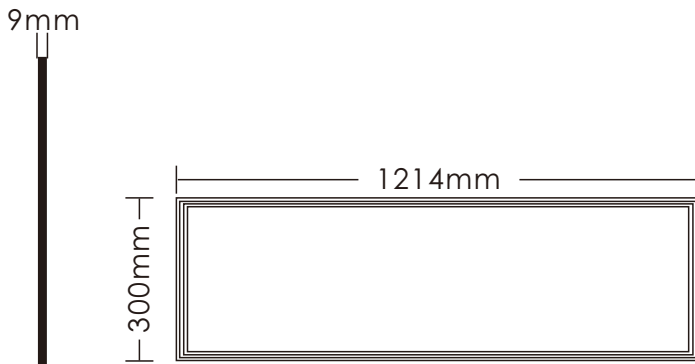


## LED Panel Lights

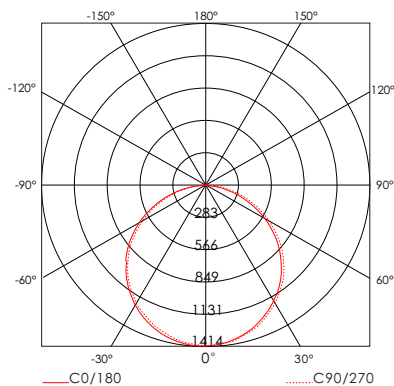
40W 300x1214mm(1x4ft)



### DIMENSIONS



### LIGHT DISTRIBUTION CURVE



### KEY DATA

Power	40W
Luminous Flux	3950lm
Colour Temperature	3000K/4000K/6500K
IP Rating	IP 20
Dimensions	300x1214x9mm
Warranty	5 Years Extended

Part Number 3000K

**CL-PL-100-US14-40W-WW**

Part Number 4000K

**CL-PL-100-US14-40W-NW**

Part Number 6500K

**CL-PL-100-US14-40W-CW**

### TECHNICAL SPECIFICATIONS

Input Voltage	100~240Vac
Power Factor	>0.9
Warm white(2700-3000K)	3360lm
Natural white(4000-4500K)	3720lm
Cold white(5800-6500K)	3950lm
LED Type	SMD4014
LED brand	SANAN/EPISTAR
Luminous Efficacy	100lm/W
Driver Output Voltage DC	36-42V DC
Total Circuit Power(W)	48W +/-5%
Electrical Class	II
Colour Rendering	>80 CRI
Lamp Viewing Angle	120°
Dimmable(option)	Dali/0-10V/PWM/Traic
Operating Temp.	-20°C to +50°C
Lifespan	60,000 Hours
Flickering free(option)	Available
Light Guide Plate	Polystyrene
Housing Material	Aluminium
UGR<19(option)	Available
Weight	4.8Kg

### Application



Office



School



Shopping mall



Hospital



Library



Conference room