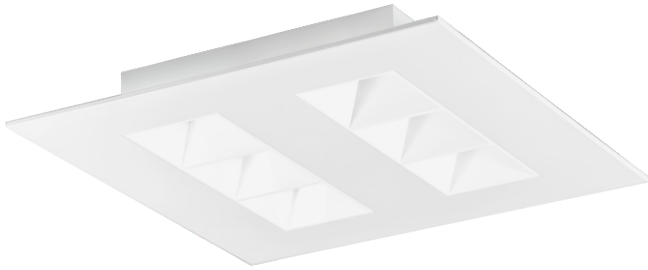
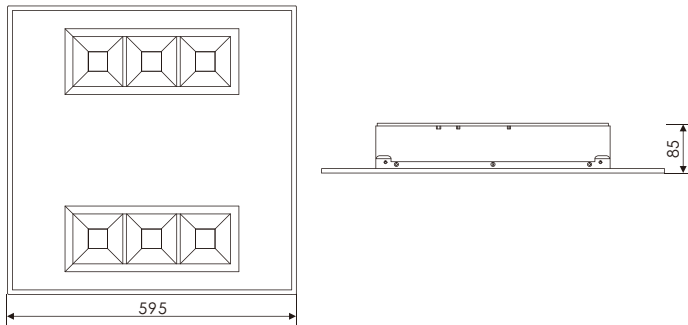


LED Troffer Light

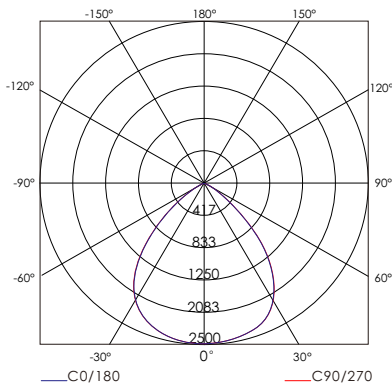
20W



DIMENSIONS



LIGHT DISTRIBUTION CURVE



KEY DATA

Power	20W
Luminou Flux	2300lm
Colour Temperature	3000K/4000K/5000K
IP Rating	IP 20
Dimensions	595x595x85mm
Warranty	5 Years Extened

Part Number 3000K	CL-TO-115-20W-22-02-WW
Part Number 4000K	CL-TO-115-20W-22-02-NW
Part Number 5000K	CL-TO-115-20W-22-02-PW

TECHNICAL SPECIFICATIONS

Input Voltage	200~240V AC
Power Factor	>0.90
Warm white(2700-3000K)	1966lm
Natural white(4000-4500K)	2185lm
Cold white(5000-5500K)	2300lm
LED Manufacturer	OSRAM
LED Type	SMD2835
No. of LEDs	96
Luminous Efficacy	115lm/W
Driver Manufacturer	LIFUD
Total Circuit Power(W)	20W+/-5%
Electrical Class	II
Colour Rendering	>80 Ra
Lamp Viewing Angle	86°
UGR	<19
Operating Temp.	-45°C to +50°C
Lifespan	55,000 Hours
Diffuser Material	Polystyrene
Housing Material	IRON
Mounting	Suspended, Recessed
Weight	4.4Kg

Application



Office



School



Shopping mall



Hospital



Library



Conference room