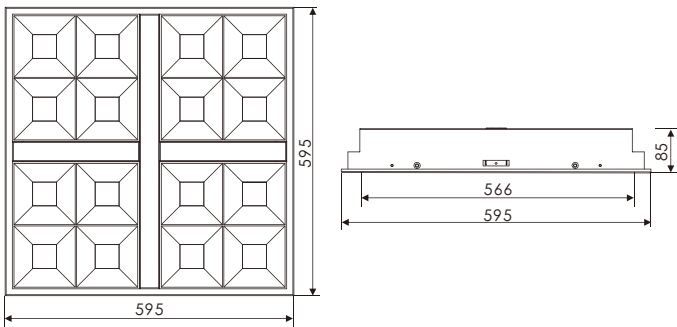


# LED Troffer Light

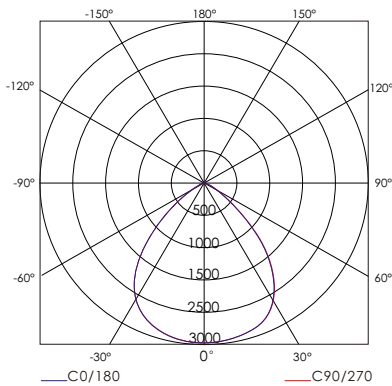
## 40W



### DIMENSIONS



### LIGHT DISTRIBUTION CURVE



### KEY DATA

Power	40W
Luminou Flux	5000lm
Colour Temperature	3000K/4000K/5000K
IP Rating	IP 20
Dimensions	595x595x85mm
Warranty	5 Years Extended

Part Number 3000K

**CL-TO-125-40W-22-01-WW**

Part Number 4000K

**CL-TO-125-40W-22-01-NW**

Part Number 5000K

**CL-TO-125-40W-22-01-PW**

### TECHNICAL SPECIFICATIONS

Input Voltage	200~240V AC
Power Factor	>0.90
Warm white(2700-3000K)	4275lm
Natural white(4000-4500K)	4750lm
Cold white(5000-5500K)	5000lm
LED Manufacturer	OSRAM
LED Type	SMD2835
No. of LEDs	192
Luminous Efficacy	125lm/W
Driver Manufacturer	OSRAM
Total Circuit Power(W)	40W+/-5%
Electrical Class	II
Colour Rendering	>80 Ra
Lamp Viewing Angle	86°
UGR	<16
Operating Temp.	-45°C to +50°C
Lifespan	55,000 Hours
Diffuser Material	Polystyrene
Housing Material	IRON
Mounting	Suspended, Recessed
Weight	4.9Kg

### Application



Office



School



Shopping mall



Hospital



Library



Conference room